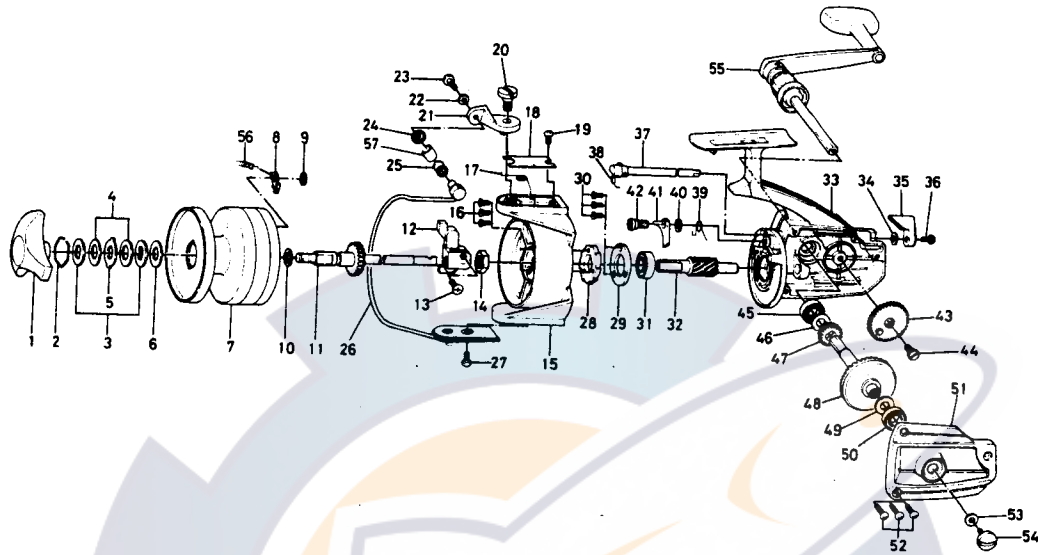


SPINNING REEL **7000C**



KEY NO. 2 ~ 9, 56
 6B18-0300

SPOOL ASSEMBLY

| Key No. | Parts No. | Parts Name | Key No. | Parts No. | Parts Name |
|---------|------------|---------------------------|---------|------------|--------------------------------|
| 1 | 6-000-8237 | Drag knob | 29 | 6-633-1101 | Ball bearing ret. washer |
| 2 | 6-170-4101 | Drag washer retainer | 30 | 6-351-8901 | Ball bearing ret. washer screw |
| 3 | 6-372-3711 | Drag D washer | 31 | 6-635-5001 | Ball bearing |
| 4 | 6-372-6504 | Disc washer | 32 | 6-401-6401 | Pinion gear |
| 5 | 6-372-3832 | Drag A washer | 33 | 6-700-1412 | Body |
| 6 | 6-372-3003 | Drag washer A | 34 | 6-372-9911 | Anti-reverse lever washer |
| 7 | 6-B18-0101 | Spool | 35 | 6-540-8201 | Anti-reverse lever |
| 8 | 6-B07-8201 | Spool click claw | 36 | 6-351-1801 | Anti-reverse lever screw |
| 9 | 6-320-1402 | Spool click claw retainer | 37 | 6-710-1821 | Anti-reverse cam |
| 10 | 6-372-9601 | Spool washer | 38 | 6-142-3511 | Anti-reverse cam spring |
| 11 | 6-710-6221 | Main shaft | 39 | 6-142-3421 | Anti-reverse claw spring |
| 12 | 6-480-7601 | Oscillating slider | 40 | 6-373-2701 | Anti-reverse claw washer |
| 13 | 6-351-9001 | Oscillating slider screw | 41 | 6-110-9501 | Anti-reverse claw |
| 14 | 6-B10-5701 | Rotor nut | 42 | 6-362-4211 | Anti-reverse claw screw |
| 15 | 6-201-2004 | Rotor | 43 | 6-750-0411 | Oscillating gear |
| 16 | 6-351-8901 | Ratchet screw | 44 | 6-361-9011 | Oscillating gear screw |
| 17 | 6-144-2201 | Bail spring | 45 | 6-636-6011 | Ball bearing |
| 18 | 6-634-6801 | Bail spring cover | 46 | 6-371-2822 | Drive gear washer A |
| 19 | 6-351-6101 | Bail spring cover screw | 47 | 6-401-6501 | Oscillating pinion |
| 20 | 6-361-7011 | Arm lever screw | 48 | 6-412-3211 | Drive gear |
| 21 | 6-231-3001 | Arm lever | 49 | 6-371-2800 | Drive gear washer B |
| 22 | 6-375-1101 | Bail washer | 50 | 6-636-6011 | Ball bearing |
| 23 | 6-363-3111 | Bail screw | 51 | 6-705-1410 | Body cover |
| 24 | 6-501-2001 | Roller collar | 52 | 6-351-8801 | Body cover screw |
| 25 | 6-250-4501 | Line roller | 53 | 6-372-3501 | Handle washer |
| 26 | 6-720-0213 | Bail | 54 | 6-361-2211 | Handle screw |
| 27 | 6-351-6401 | Bail holder screw | 55 | 6-746-8901 | Handle |
| 28 | 6-280-4001 | Ratchet | 56 | 6-145-2101 | Spool click claw spring |
| | | | 57 | 6-502-1401 | Roller metal |